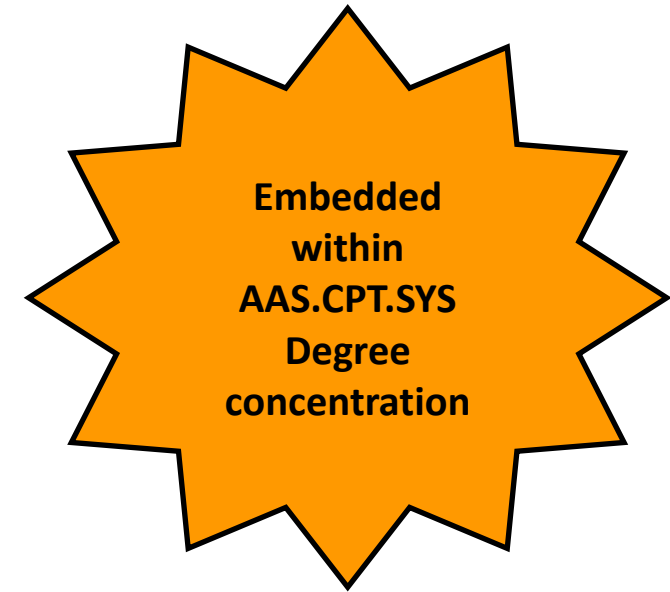
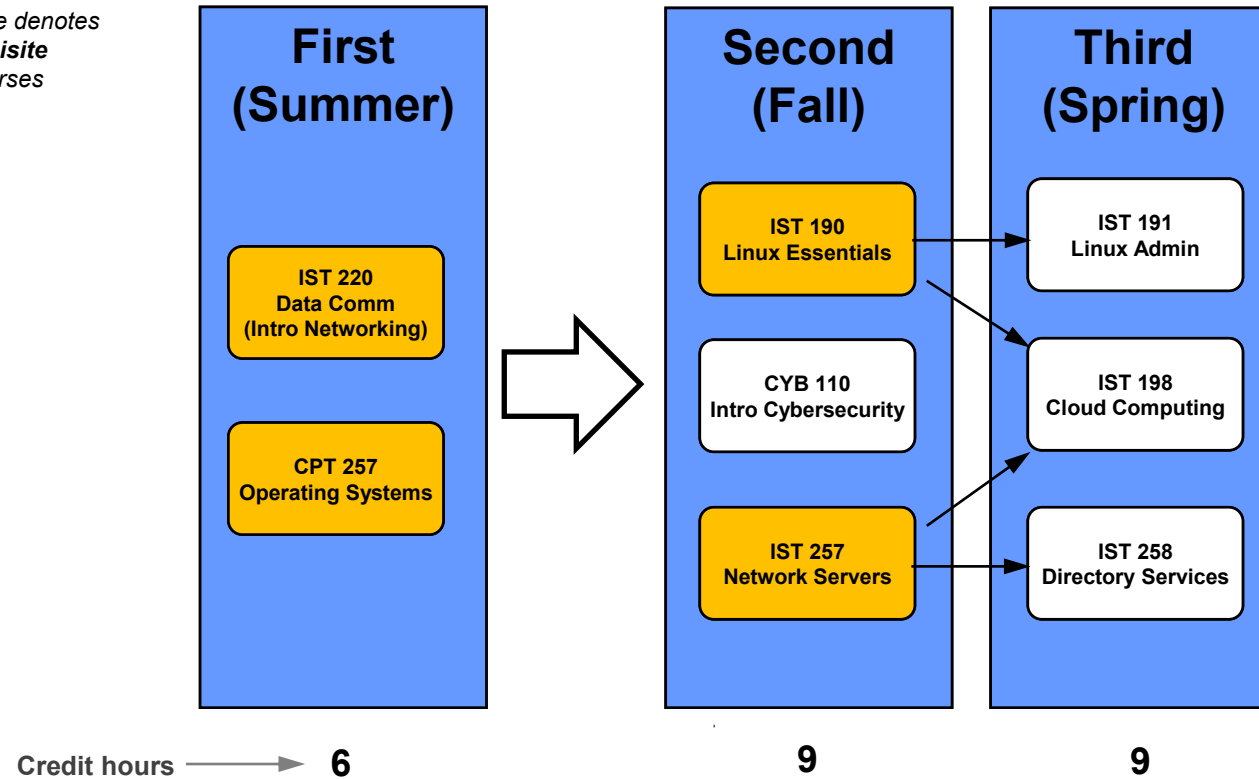


# Computer Technology

2026 Certificate Pathway – Systems Administration and Infrastructure Certificate in Applied Science (CAS.SYSA7)

*Please note that this certificate program is typically Summer semester entry (best fit schedule)*

*Note: Orange denotes key prerequisite pathway courses*



**FOR MORE INFORMATION CONTACT:**

Phillip Cluley  
Department Head  
864-250-8655

**Effective: Fall 2026**

*Day/Night Schedule Varies*

**Total = 24 hours**